

Ophthalmic Unit

type-835

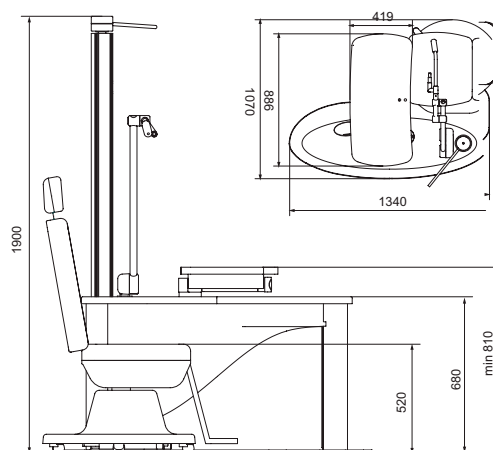
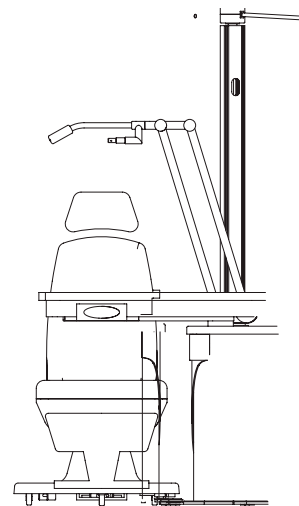
TYPE-835



eSKa

Specification

Height to table top (in lowest position)	810 mm
Height to table top (in top position)	1010 mm
Height to cabinet	680 mm
Width of floor base	515 mm
Length of floor base	1340 mm
Height of column from floor base	1900 mm
Dimensions of table top	810 x 4140 mm
Range of vertical movement of phoropter arm	+/- 100 mm
Angle of table top arm rotation	90 deg
Loading capacity	50 kg
Halogen lamp on the column	35 W
Weight (w/o patient chair)	197 kg
Weight of patient chair (model 614)	81 kg
Time of chair vertical movement between extreme positions	14 s
Voltage	230V / 50 Hz
Max. power consumption	600 V A



Cordless disconnection of patient chair is an exceptional advantage which enables to perform the examination of patient on wheel chair.

dominating colours for units

(according to RAL standard)

7004



beech wood



Accessories

- chin rest adapter extensible – mounted to the table top
- chin rest adapter extensible – mounted to the frame
- chin rest adapter fixed
- cable carrier 230V
- chart projector shelf
- chart projector holder
- cushion for children (for chair)

eSKa

F.P.H.U **eSKa** Staboń Sławomir
42-421 Włodowice, Rzędkowice ul. Jurajska 35
+48 34 31 53 014
office@eskaopto.eu

www.eskaopto.eu